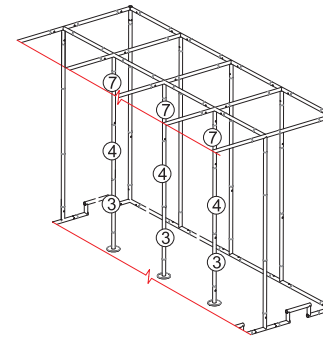
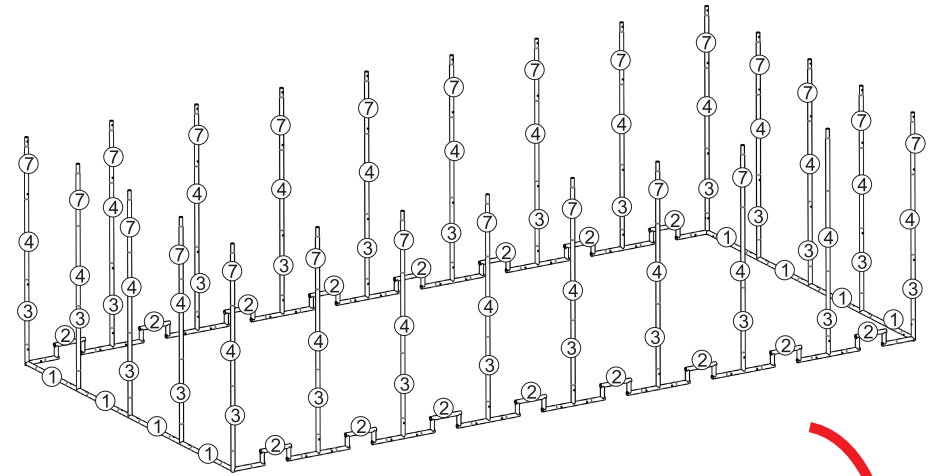
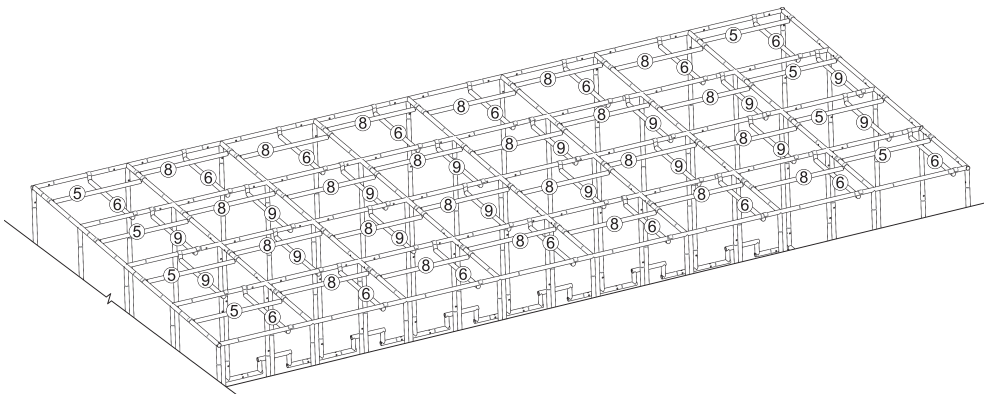
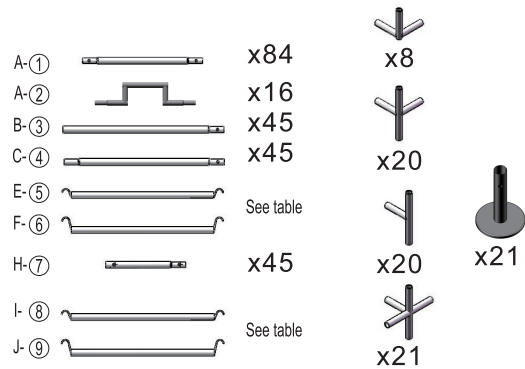


Grow Tent Assembly Instructions

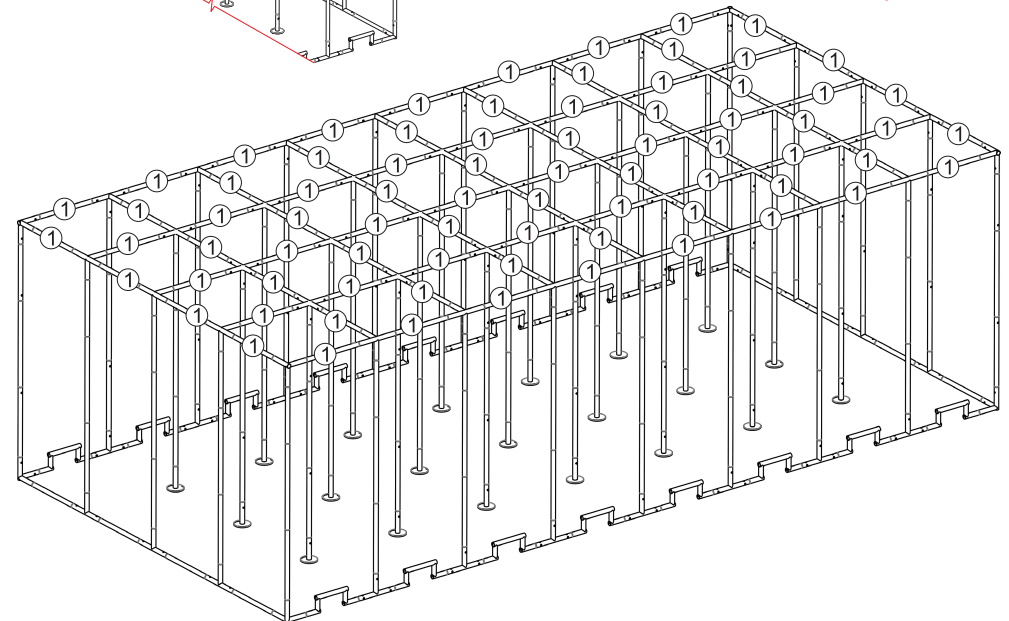
- 1 Connect the grow tent framework ensuring that the poles are seated properly in the corner connectors. It may be necessary to gently twist the poles back and forth until the connection tabs pop-out and lock into place.

TENT SIZE	
600x1200x220/250	

Tube-1(A)	Tube-2(A)	Tube-3(B)	Tube-4(C)	Tube-5(E)	Tube-6(F)	Tube-7(H)	Tube-8(I)	Tube-9(J)
x84	x16	x45	x45	x8	x16	x45	x24	x16



Internal tubes installation sketch map



2 Pull the grow tent outer canvas over the constructed framework

