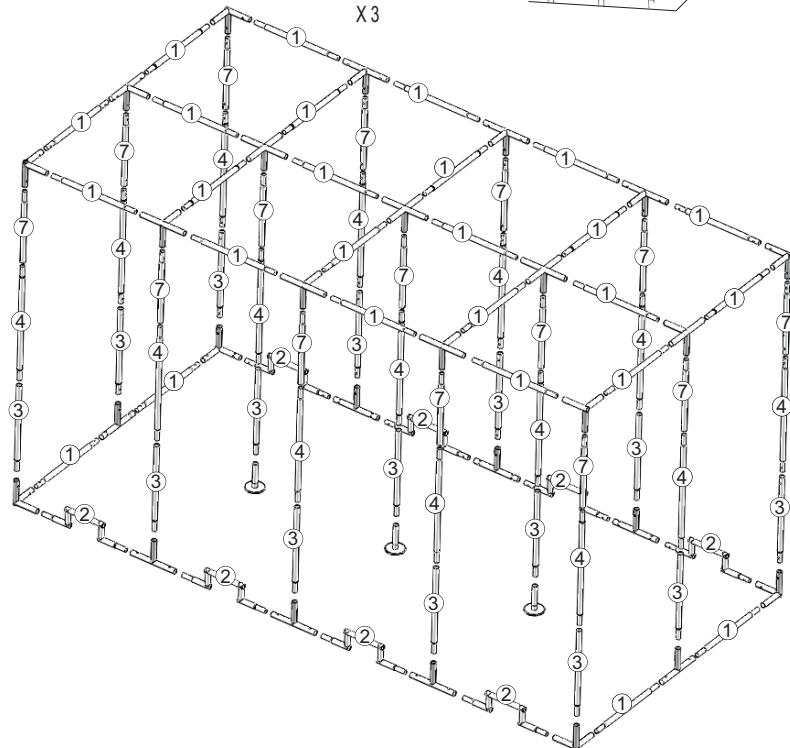
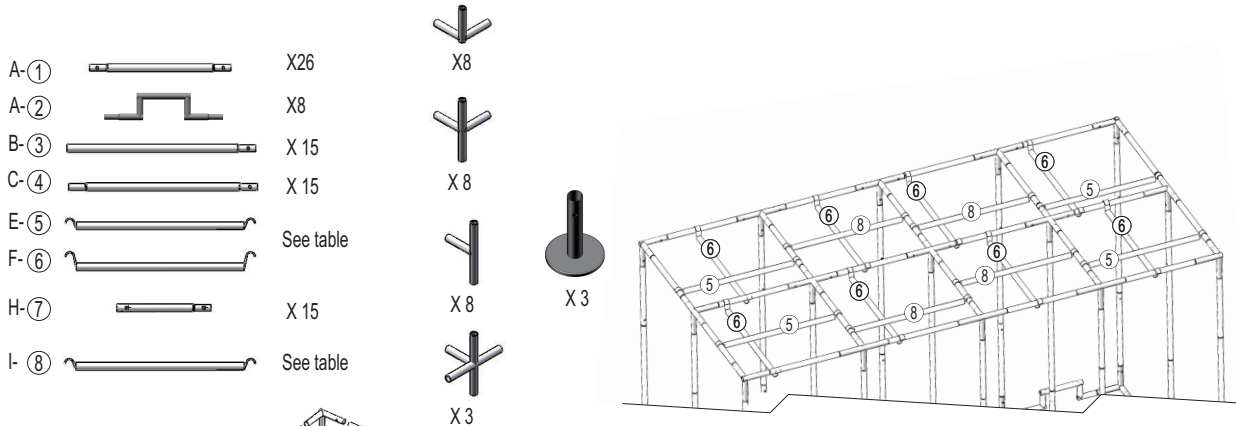


Grow Tent Assembly Instructions

1 Connect the grow tent framework ensuring that the poles are seated properly in the corner connectors. It may be necessary to gently twist the poles back and forth until the connection tabs pop-out and lock into place.

TENT SIZE	Tube-1(A)	Tube-2(A)	Tube-3(B)	Tube-4(C)	Tube-5(E)	Tube-6(F)	Tube-7(H)	Tube-8(I)
600x300x220/250CM	x26	x8	x15	x15	x4	x8	x15	x4



2 Pull the grow tent outer canvas over the constructed framework

