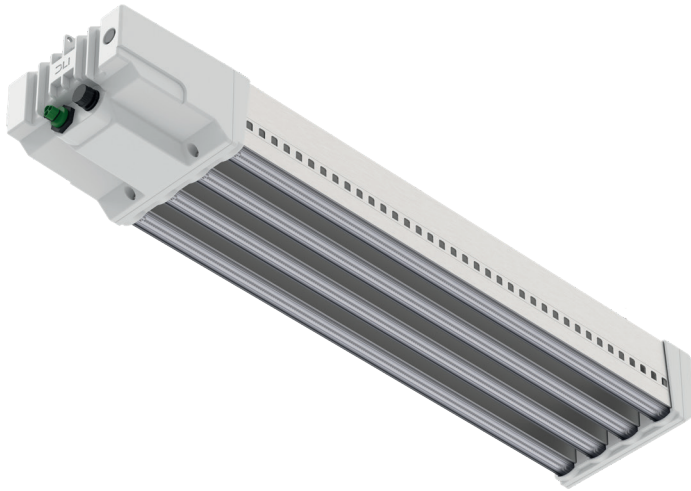




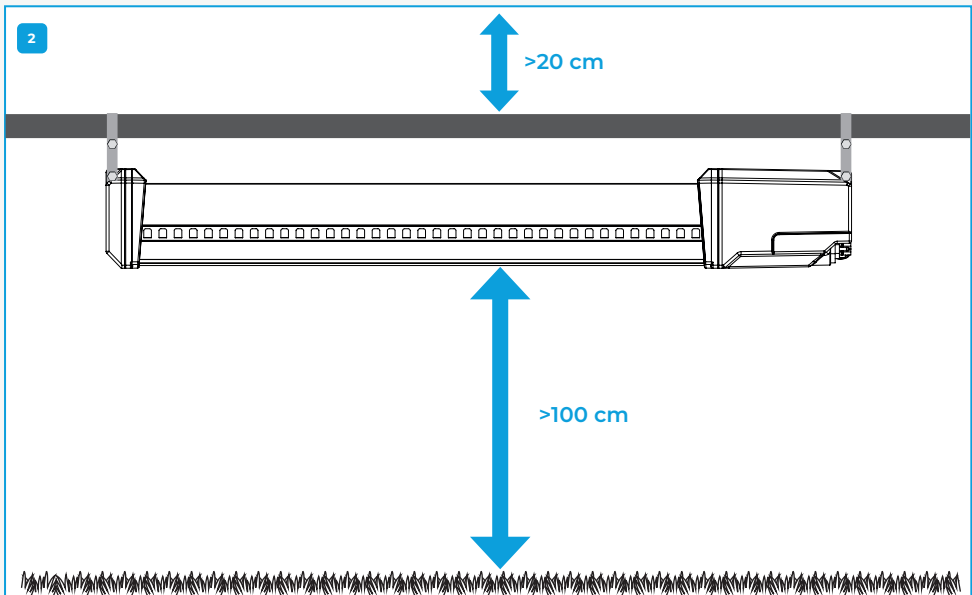
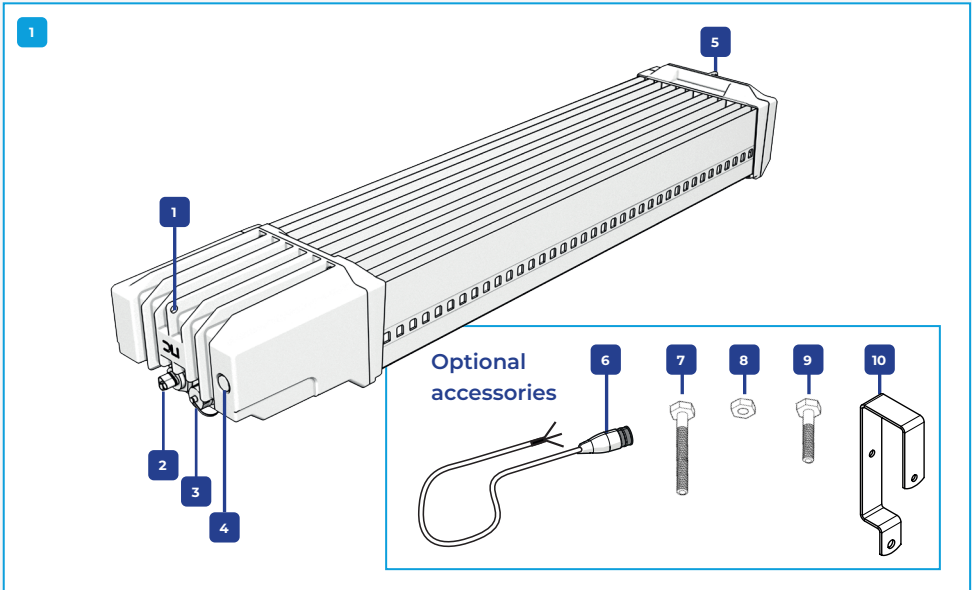
**Dutch Lighting**<sup>™</sup>  
Innovations

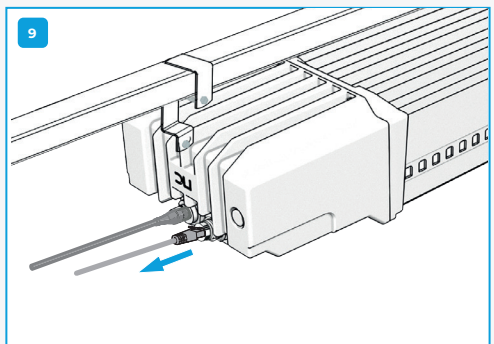
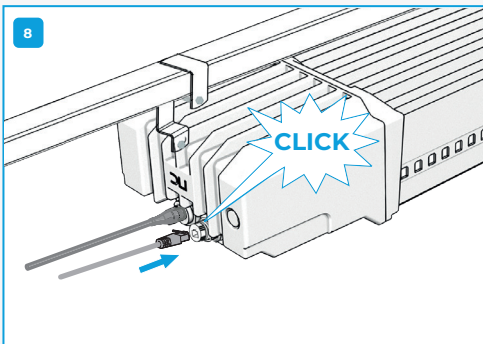
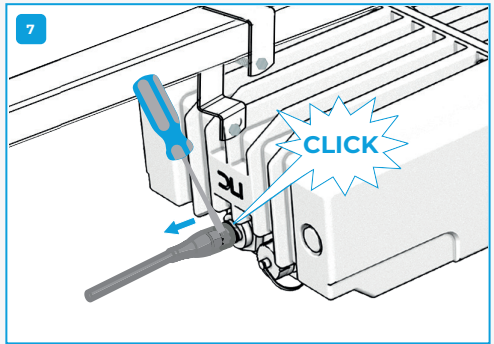
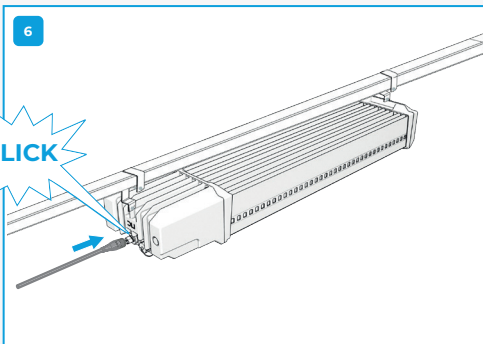
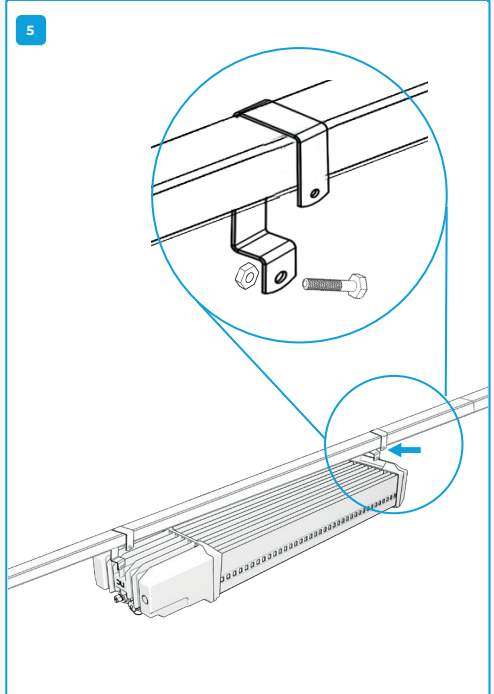
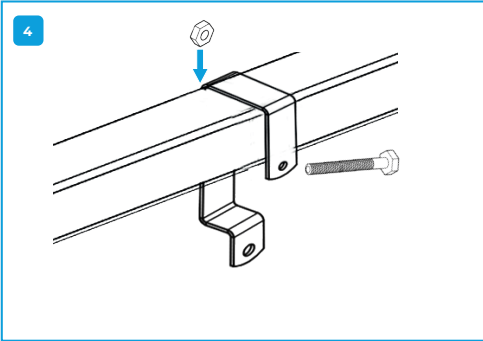
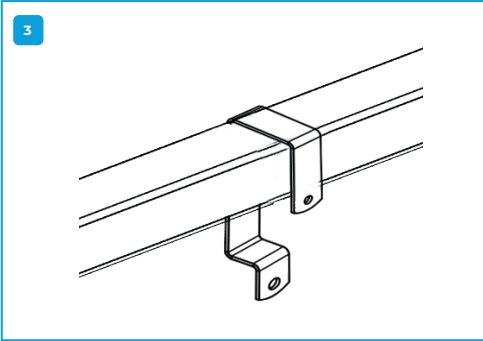


# DLI ZENITH 900W 277-400V FS-DC

Installation Manual - EN

[WWW.DLI.NL](http://WWW.DLI.NL)





## Preface

Thank you for buying the DLI ZENITH-Series LED TopLighting Fixture. The DLI ZENITH-Series LED TopLighting Fixture is made with high quality components only to assure a high reliability, a long service life and safe operation.

For a correct installation, it is important to read the installation manual carefully before you start with the installation of the fixture(s).

In this manual, the DLI ZENITH-Series LED TopLighting Fixture will be referred to as "the fixture".

## Contents

---

<b>Introduction</b>	<b>5</b>
Intended use	
Symbols used in this manual	
Conformity	
Warranty	
Liability	

---

<b>Product description</b>	<b>6</b>
Description	
Main parts	
Specifications	

---

<b>Safety</b>	<b>7</b>
---------------	----------

---

<b>Installation</b>	<b>8</b>
Preparations before installing	
Installing the fixture	
Connecting the Wieland power cable	
Connecting the dongle	

---

<b>Use</b>	<b>10</b>
------------	-----------

---

<b>Inspection, maintenance and repair</b>	<b>10</b>
Cleaning the fixture	
Disconnecting the Wieland power cable	
Disconnecting the dongle	

---

<b>Storage and disposal</b>	<b>11</b>
-----------------------------	-----------

## Introduction










### Intended use

The fixture is intended to be used as grow lighting for horticultural purposes.

This installation manual explains how to install and use the fixture. Read and understand this manual completely before installing and using the fixture.

Using the fixture otherwise than specified in this manual, is considered as unintended use and will void all warranty.

### Symbols used in this manual

	<b>Warning!</b> This symbol indicates a potentially hazardous situation which, if not avoided, could result in death or serious injury.
	<b>Caution!</b> This symbol indicates a potentially hazardous situation which, if not avoided, could result in minor or moderate injury.
	<b>Note:</b> This symbol indicates additional information.
	This symbol indicates a hot surface. The fixture can reach high temperatures. Contact may cause burns. Do not touch.
	DLI declares with this symbol that the products comply with the European requirements.
	This symbol indicates that the product was tested and has met the certification requirements for electrical and/or mechanical products. Applies to USA and CA only.
	This symbol indicates that the electromagnetic radiation from the device is below the limits specified by the Federal Communications Commission and the manufacturer has followed the requirements of the Supplier's Declaration of Conformity authorization procedures. Applies to USA and CA only.
	This symbol indicates the photobiological safety of lamps and lamp systems Risk group 1: Do not stare at the operating light source. The philosophical basis for this classification is that the lamp does not pose a hazard due to the aversion response to very bright light sources or due to the thermal discomfort.
	This symbol indicates that this product should not be thrown away with other household waste. To prevent possible harm to the environment or human health by uncontrolled waste disposal, you are responsible for recycling it so that it can promote the sustainable reuse of raw materials. To return your used product, you can use the regular return and collection systems applicable in your country.

## Conformity

The fixture confirms to the following directives and standards:

CSA / UL	CSA C22.2 No. 250.0-18 ANSI / CAN / 4 / 8800
FCC	FCC Part 15B
CE / CB*	EN60598-2-1 - EN62031 - EN62471 - Risk Class I - EN55015
Photobiological hazard	IEC 62471 : 2006 IEC TR 62778

\*Pending

## Warranty

Refer to the general terms and conditions of Dutch Lighting Innovations for information about the warranty conditions.

## Liability

Any changes and/or modifications of the fixture will void the warranty. We accept no liability for damage caused by improper use of the fixture.

## Product description

### Description

The fixture is intended to be used as grow lighting for horticultural purposes in greenhouses

### Main parts

See image **1** for an overview of the main parts of the fixture.

1. Mounting point driverbox
2. Wieland connector
3. RJ port
4. Ventilation plug
5. Mounting point fixture
6. **Wieland powercable**<sup>1</sup>
7. **Hex bolt M5 55 mm 1x** <sup>1</sup>
8. **Lock nut M5 3x**<sup>1</sup>
9. **Hex bolt M5 10 mm 2x**<sup>1</sup>
10. **U-Bracket**<sup>1</sup>

<sup>1</sup>Order seperatly, appearance may vary

## Specification

Type	DLI ZENITH 900W 277-400V FS-DC
Market introduction	2024
Input voltage	208-400V
Rated power	900W
Input voltage range	±10%
Ambient temperature	0 – 35 °C / 32 – 77 °F
Relative humidity	<70% (non condensing)
Dimensions	38.6 x 8.3 x 5.1 inch / 98 x 21 x 13 cm
Weight	26.5 lb / 12.0 kg
IP Rating	IP65

## Safety



### Warning!

- Read and understand this manual completely before installing and using the fixture.
- Always observe the local rules for installing and using the fixture.
- Always switch off the mains before installing or maintaining the fixture. Danger of short-circuiting which may pose a fire hazard.
- Never touch the fixture when in operation or within 10 minutes after switch off as this will cause major burn injuries.
- Always keep away from children and pets.
- Never open the fixture with electronic ballast. Danger of short-circuiting which pose a fire hazard.
- Never rewire, repair or reconfigure any component of the fixture. Danger of short-circuiting which may pose a fire hazard.
- Never use the fixture in a wet environment or outdoors. Danger of short-circuiting which may pose a fire hazard.
- Never use the fixture in the proximity of dangerous or combustible materials. Danger of combustion which may pose a fire hazard.
- Never let the Wieland power cable touch any hot parts of the fixture. Danger of exposed electrical wiring which may pose short-circuit and a fire hazard.
- Never plug the power cable into a power supply with a different supply voltage than instructed on the product label on the fixture with electronic ballast. Danger of electric shock which may lead to injuries.
- Never stare or look directly into the LED fixture when in use. This may be harmful to the eyes.
- Always connect the power cable according to local rules, safety regulations and electrical code.



**Caution!**

- Always keep a minimum of 100 centimeter between the fixture and the plants. Danger of burned plants which may pose a fire hazard. See image **2**.
- Always keep a minimum of 20 centimeter between the fixture and the ceiling / screen. Danger of overheating which may pose a fire hazard. See image **2**.
- Never open the fixture with electronic ballast. Opening the fixture will void all warranty.
- Always connect the Wieland power cable properly.
- Never plug or unplug the Wieland power cable while the fixture is in use.
- Always use DLI approved parts as replacement parts. The use of other parts may damage the fixture and will void the warranty.
- Always use screws and fittings that are suited for your ceiling and that they have sufficient holding power. Contact your local specialised retailer if needed.

## Installation



**Warning!**

- Always switch off the mains before installing or maintaining the fixture. Danger of short-circuiting which may pose a fire hazard.
- Never use a damaged fixture.
- Never use a damaged Wieland power cable.

### Installing the fixture

#### **Caution!**

- Always keep a minimum of 20 centimeter between the fixture and the ceiling / screen. Danger of overheating which may pose a fire hazard. See image **2**.
- Mount the U-bracket to the truss or C-profile. See image **3**.
- Screw the 55 mm bolt through the U-bracket into the lock nut. See image **4**.
- Connect the mounting bracket to the connecting point on the fixture. Screw the 10 mm bolt into the lock nut. See image **5**.

### Connect the fixture to the controller

Optional: connect controller to the fixtures. Consult the controller manual for more information. See image **8** and **9**

### Connecting the Wieland power cable

#### **Warning!**

- Never let the Wieland power cable touch any hot parts of the fixture. Danger of exposed electrical wiring which may pose short-circuit and a fire hazard.
- Never plug the power cable into a power supply with a different supply voltage than instructed on the fixture. Danger of electric shock which may lead to injuries.
- Always connect the Wieland power cable according to local rules, safety regulations and electrical code.
- Plug the connector of the Wieland power cable onto the connector on the fixture. See image **6**.
- Switch on the mains.

## Use



### **Warning!**

- Never touch the fixture when in operation or within 10 minutes after switch off as this will cause major burn injuries.

## Inspection, maintenance and repair



### **Warning!**

- Always switch off the mains before installing or maintaining the fixture. Danger of short-circuiting which may pose a fire hazard.
- Never touch the fixture when in operation or within 10 minutes after switch off as this will cause major burn injuries.
- Never open the fixture. Danger of short-circuiting which pose a fire hazard.
- Never rewire, repair or reconfigure any component of the fixture. Danger of shortcircuiting which may pose a fire hazard.

### **Cleaning the fixture**

- To ensure reliable and safe operation of your fixtures, maintenance needs to be performed regularly. When the lens is contaminated it cannot transmit light (=heat) as efficiently and damage can occur to the LED board and lens, irregardless of the type or brand of LED fixture. Periodic maintenance of your fixture reduces unnecessary light losses, increases reliability and extends lifespan. Extreme contamination of the fixture can result in a voided warranty.
- The maintenance interval depends on the level of contamination due to the daily activities in your greenhouse. The level of contamination is easily determined by using the specially designed cleaning wipes. The amount of dirt remaining on the wipe is a clear indication of the level of contamination.
- Always disconnect the mains before cleaning the fixture.
- Regularly check if the fixtures are clean and dust free.
- Only use microfiber cloths, demineralized water and cleaning wipes. When using (aggressive) cleaning products and detergents the fixture and lens could be damaged and this could result in a voided warranty.

### Disconnecting the Wieland power cable

#### **Caution!**

1. Switch off the mains
1. Unplug the wieland power cable from the connector on the fixture using a screwdriver. See image **7**.

## Storage and disposal

Store the fixture in a dry, dust-free and clean environment.

Store in a room with an ambient temperature between 0 – 35 °C and a relative humidity between 5% and 85%, non condensation.

This product should not be thrown away with other household waste. To prevent possible harm to the environment or human health by uncontrolled waste disposal, you are responsible for recycling it so that it can promote the sustainable reuse of raw materials. To return your used product, you can use the regular return and collection systems applicable in your country.



**Dutch Lighting™**  
Innovations

Lakenblekerstraat 41 | 1431 GE Aalsmeer | The Netherlands

+31 (0)297 - 760 500

[WWW.DLI.NL](http://WWW.DLI.NL)

[info@DLI.NL](mailto:info@DLI.NL)

Redefine  
Grow Light

DESIGNED AND MADE IN THE NETHERLANDS