

UNDER CANOPY LIGHTING

# 150W LED

Designed for Enhancing Plant Growth and  
Optimizing the Efficiency  
of Shaded Leaves



**PLATINUM**  
LED Horticultural Light

**FEATURE**

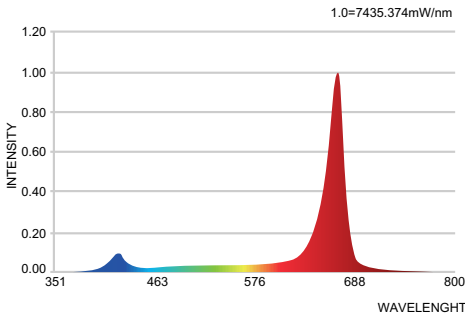
- Increased Over All Yield – 25%-40%
- More Uniform Maturity across depth of canopy
- Less labor required in striping of under canopy
- Increase in grams per cubic foot of canopy
- Shortening of Flowering time – more harvest per year
- IP65 rated for easy cleaning and protection from IPM sprays, irrigation leaks, and employees getting crazy with the watering wand

**SPECIFICATIONS**

Spectrum	Input Power	Input Voltage	PPE	PPF	Input Current	Control	Ambient Temperature	Light Distribution
High Red Spectrum	150W	220-240V AC	3.0 umol/J	450 umol/s	0.63-0.68A	0-10V	-25-40°C	200°

**SPECTRUM**

**High RED+Far Red - PPE:2.8umol/J**  
Complement full spectrum **LED top lights.**

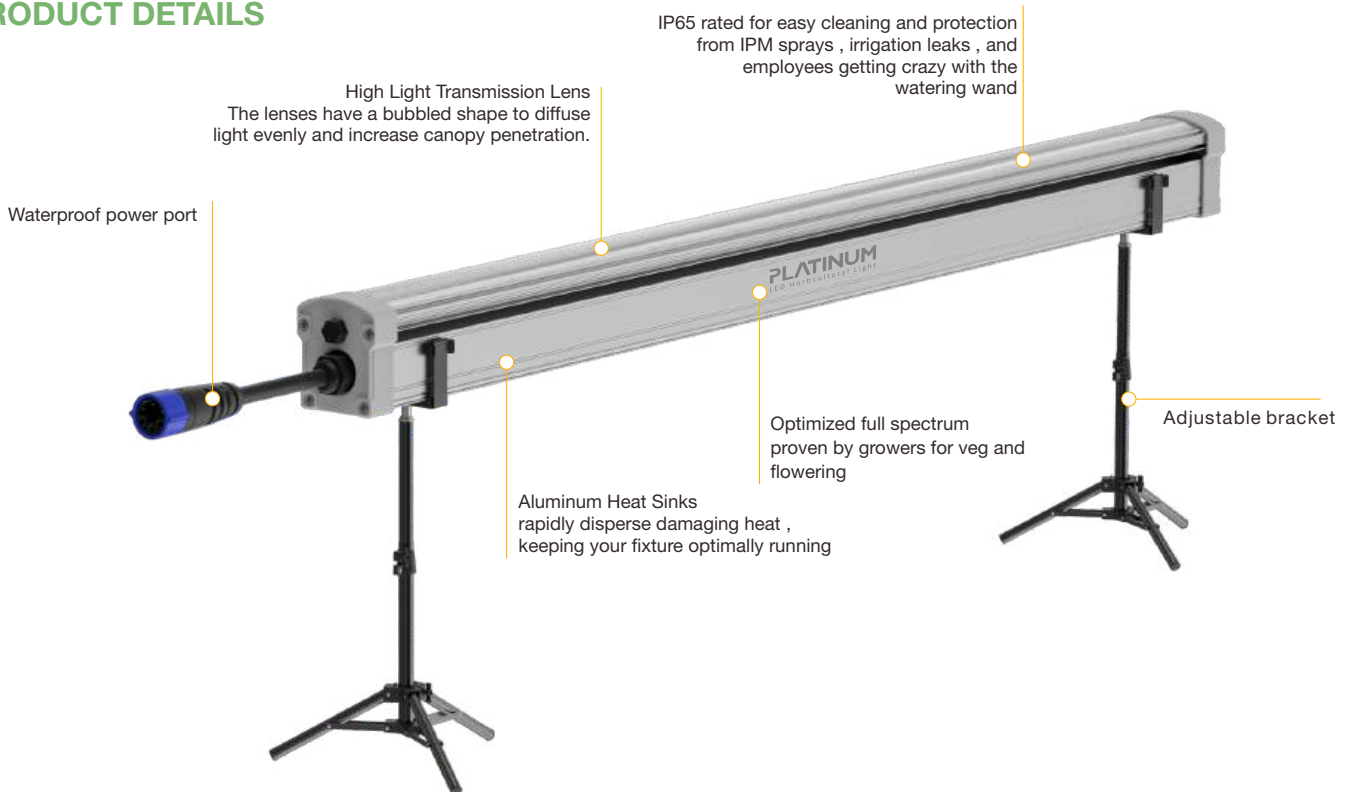


**DAISY-CHAIN**

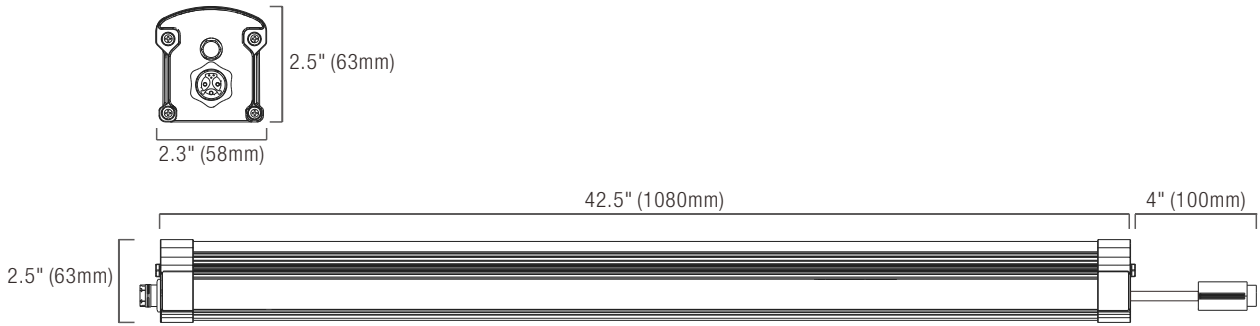
Daisy-Chain@220V - Up to 14 Lights

Daisy-Chain@240V - Up to 16 Lights

**PRODUCT DETAILS**



**PRODUCT SIZE**



**DAISY-CHAIN & 0-10V CONTROL**

@220V - Up to 14 Lights ; @240V - Up to 16 Lights ;

